



408²S6

SIZE RANGE: 3 - 8 inch (80 mm - 200 mm)

MAX TEMP: 180°F (80°C)

MAX PRESSURE: 150 PSI

4082S6 - All 316 Stainless steel body and access port, flanged connection class 150. Nitrile (Buna-N) covered metal sinking ball. Stainless steel fasteners.

Also available with special "Floating Ball" for flood control or air vent application—consult factory for application and pricing.

Complies with the American Iron and Steel Act, AIS Compliant.



Warranty: 1 Year

Discount Code B
FOB Factory

[SUBMIT RFQ](#)



MODEL: 408²S6

3D and AR View Available

Ball Check Valve

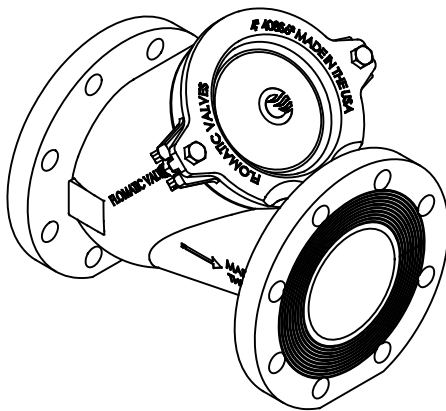
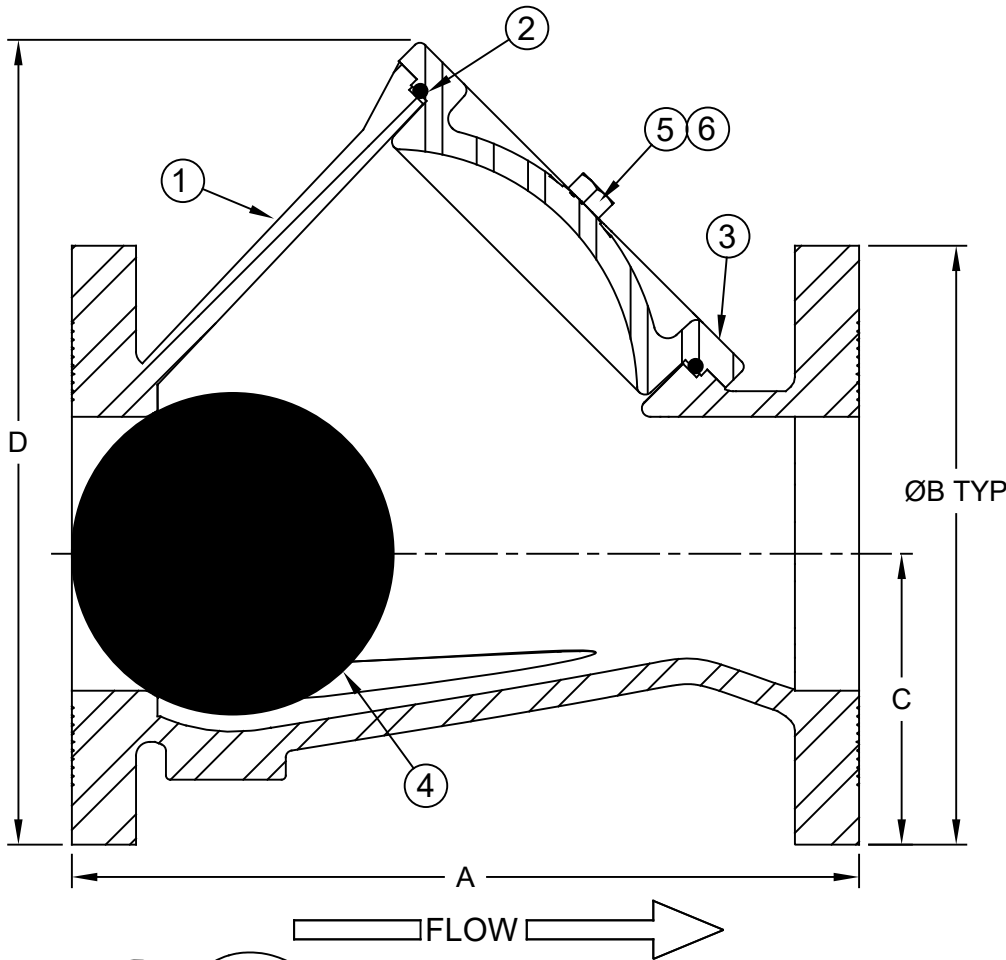
Model 408²S6 **FLOMATIC**[®]

Sizes 3" Thru 8" / 80 mm Thru 200 mm
AIS COMPLIANT - MADE IN THE USA

Flomatic Corporation



Materials



Max Temp 180°F (82°C)
Max Inlet Pressure 150 psi (10 bar)

Item #	Qty	Description	Material	ASTM
1	1	Body	Stainless Steel	316
2	1	O-Ring	Buna-N	-----
3	1	Cover	Stainless Steel	316
4	1	Ball (Sinking)*	Buna-N/Metal Ball	-----
5	2	Bolt / Washer	Stainless Steel	316
6	2	Nut	Stainless Steel	316

*Optional floating ball available add "FB" to part number

Dimensions (150# ANSI B16.42 Flanges)

Size		Part #	A		ØB		C		D		Weight	
inch	mm		inch	mm	inch	mm	inch	mm	inch	mm	lbs	kg
3	80	3144S6	9.50	241	7.50	191	3.11	79	10.25	260	37	17
4	100	3145S6	11.50	292	9	229	4.25	108	11.75	298	56	26
6	150	3146S6	14	356	10.75	273	5.25	134	14.50	368	105	48
8	200	3147S6	19.50	495	13.06	343	6.31	160	20.25	514	186	84

Flomatic Corporation can accept no responsibility for possible errors in catalogues, brochures and other printed material. Flomatic Corporation reserves the right to alter its products without notices. This also applies to product already agreed. All trademarks in this material are property of the respective companies. All rights reserved. ©2024 Flomatic Corporation. The drawings & information on this drawing sheet are the sole & exclusive property of Flomatic Corporation. Any reproduction, distribution, display or use of these drawings or information in whole or in part without written authorization of Flomatic Corporation is strictly prohibited. www.flomatic.com