



408 & 408²

SIZE RANGE: 3 - 14 inch (80 mm - 350 mm)

MAX TEMP: 180°F (80°C)

MAX PRESSURE: 150 PSI

4082 - AIS Compliant ductile iron body with epoxy coating and access port, flanged connection class 150. NITRILE (Buna-N) covered metal sinking ball. Stainless steel fasteners. Also available with special "Floating Ball" for flood control or air vent application—consult factory for application and pricing.



MODEL: 408 & 408²

3D and AR View Available



Warranty: 1 Year

Discount Code B

FOB Factory

[SUBMIT RFQ](#)

Ball Check Valve

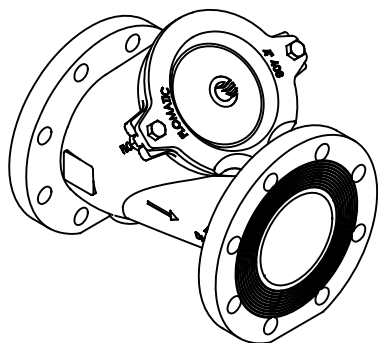
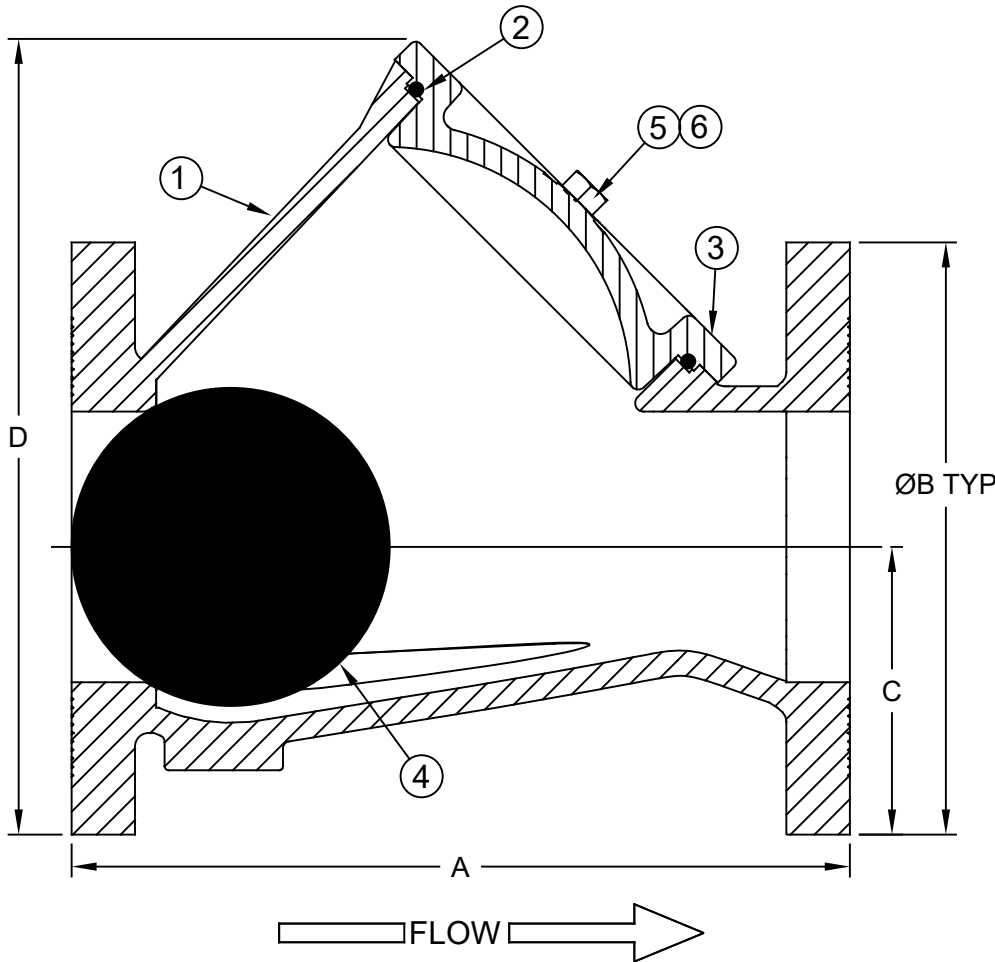
Model 408²



Sizes 3" & 4" / 80 mm & 100 mm

Flomatic Corporation

Materials



Max Temp 180°F (82°C)
Max Inlet Pressure 150 psi (10 bar)

Item #	Qty	Description	Material	ASTM
1	1	Body (Epoxy Coated)	Ductile Iron	65-45-12
2	1	O-Ring	Buna-N	-----
3	1	Cover (Epoxy Coated)	Ductile Iron	65-45-12
4	1	Ball (Sinking)*	Buna-N/Metal Ball	-----
5	2	Bolt	Stainless Steel	18-8
6	2	Nut	Stainless Steel	18-8

*Optional floating ball available add "FB" to part number

Not AIS compliant - see separate spec sheet

Dimensions (150# ANSI B16.42 Flanges)

Size		Part #	A		B		C		D		Weight	
inch	mm		inch	mm	inch	mm	inch	mm	inch	mm	lbs	kg
3	80	2144-2	9.50	241	7.50	191	3.11	79	10.25	260	37	17
4	100	2145-2	11.50	292	9	229	4.25	108	11.75	298	56	26

Flomatic Corporation can accept no responsibility for possible errors in catalogues, brochures and other printed material. Flomatic Corporation reserves the right to alter its products without notices. This also applies to product already agreed. All trademarks in this material are property of the respective companies. All rights reserved. ©2024 Flomatic Corporation. The drawings & information on this drawing sheet are the sole & exclusive property of Flomatic Corporation. Any reproduction, distribution, display or use of these drawings or information in whole or in part without written authorization of Flomatic Corporation is strictly prohibited. www.flomatic.com



August 13, 2007
Dwg No:S408SQUARED Rev: K (6/24)

FLOMATIC CORPORATION
GLENS FALLS, N.Y. 12801
PHONE (518) 761-9797
FAX (518) 761-9798